

VIPER MID MK II WIRE ROPE LUBRICATOR

Page | 1



Manufactured and Distributed by

LUBRICATION
ENGINEERING



Contents

1.0 Introduction	4
1.1 Key features of the Viper Mid MKII WRL include:	4
2.0 Included Kit Components	5
3.0 Viper Mid MKII Kits Components Assembled & Numbered	6
3.1 Viper Mid MKII Standard Kits	6
3.1.1 Viper Mid MKII Complete Standard Collar.....	6
3.1.2 Viper Mid MKII Complete Standard Hose (included in 20KG & 50KG kits).....	7
3.1.3 Viper Mid MKII Complete 20KG Kit.....	8
3.1.4 Viper Mid MKII Complete 20KG Pump Kit	9
3.1.5 Viper Mid MKII Complete 50KG Kit.....	10
3.1.6 Viper Mid MKII Complete 50KG Pump Kit	11
3.1.7 Viper Mid MKII Complete 180KG Kit.....	12
3.1.8 Viper Mid MKII Complete 180KG Pump Kit	13
3.1.9 Viper Mid MKII Complete 180KG Hose.....	14
3.2 Viper MKII High Speed Kits	14
3.2.1 Viper Mid MKII Complete HS Collar.....	15
3.2.2 Viper Mid MKII Complete HS Hose (included in 20KG & 50KG kits) ..	16
3.2.3 Viper Mid MKII Complete HS 20KG Kit.....	17
3.2.4 Viper Mid MKII Complete HS 20KG Pump Kit.....	18
3.2.5 Viper Mid MKII Complete HS 50KG Kit	18
3.2.6 Viper Mid MKII Complete HS 50KG Pump Kit	20
3.2.7 Viper Mid MKII Complete HS 180KG Kit.....	21
3.2.8 Viper Mid MKII Complete HS 180KG Pump Kit	22
3.2.9 Viper Mid MKII Complete HS 180KG Hose.....	23
4.0 Viper Mid MKII WRL Assembly Instructions (refer assembly video on website)	24
5.0 Ratchet Strap Buckle Assemblies - Ref: AW107.....	27
6.0 Viper Mid MKII WRL Operating Instructions	28
7.0 Lubricant Penetration.....	30



8.0 Equipment Specifications.....	31
9.0 Trouble Shooting.....	32
10.0 Safety Recommendations – Caution Level Rating.....	33
11.0 Danger Rating.....	34
12.0 Viper Mid MKII Guarantee	35

Page | 3



1.0 Introduction

The **VIPER Mid MKII Wire Rope Lubricator** is an Australian designed and built lubricator for wire rope sizes from 6mm ($\frac{1}{4}$ "") to 67mm ($2\text{-}\frac{5}{8}$ ""). It provides fast and effective single pass lubrication of wire ropes, eliminating the slow and arduous task of manual lubrication. Lubrication of wire ropes with the Viper system provides superior protection against corrosion and fretting wear by forcing lubricant into the core of the wire rope while also coating the outer strands. The use of the Viper WRL MKII improves operator safety and reduces the environmental impact of wire rope lubrication for any size operation.

Page | 4

1.1 Key features of the Viper Mid MKII WRL include:

1. Viper collar constructed from high grade aluminium with a high visibility corrosion resistant coating.
2. New Viper collar is 32% lighter than the original Viper unit and incorporates cast carry handles for easier handling.
3. Unique polyurethane seal design provides largest pressure contact area to ensure maximum lubricant penetration.
4. Durable and wear resistant polyurethane seals last thousands of metres in normal service.
5. Seal and scraper size range to cater for rope sizes 6mm to 67mm.
6. High pressure high flow 45:1 grease pump delivers lubricant at up to 4.5kg per minute and pressures up to 5,500 psi.
7. Global distribution network which provides local customer support.

Viper Mid MKII collar with unique built in handles



2.0 Included Kit Components

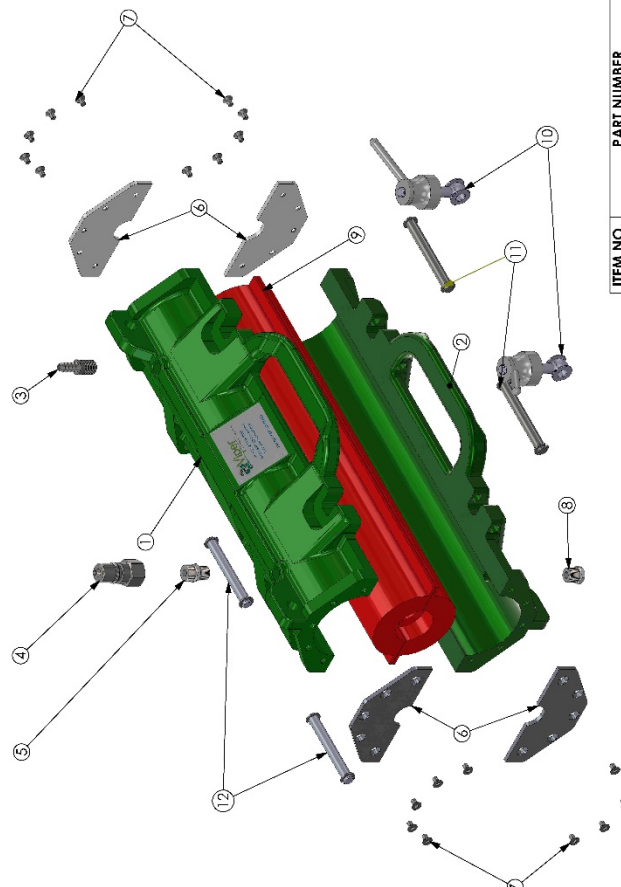
1. Viper Mid lubricator collar, cast aluminium with inbuilt handles, includes lubricant delivery line quick connect coupling and excess lubricant fitting.
2. High pressure high flow customized Viper 45:1 grease pump to suit 20kg 50kg/180kg drum sizes which comes preassembled with: Page | 5
 - a. Air control valve
 - b. Air regulator with gauge
 - c. High pressure grease flow control valve
 - d. Male quick connect fitting
3. Four (4) metre, high pressure, ½” hydraulic hose complete with female quick connect couplings on each end.
4. One (1) metre clear hose for excess lubricant discharge.
5. Two (2) x 2 metre ratchet straps rated to 500kg.
6. Four (4) x “Bow” shackles.
7. Viper collar shoulder carry strap.
8. Heavy duty aluminium storage case with stainless steel fixtures.
9. Polyurethane seals & Aluminium Scraper plates (ordered separately)
 - a. Sized to suit specific size ropes - 6mm / 4/16” to 67mm / 2-5/8”
 - b. Please reference the Seal & Scraper Selection Guide
10. Viper Wire Cleaners (optional accessory)
 - a. Available to suit a variety of ropes – refer to Viper selection guide.



3.0 Viper Mid MKII Kits Components Assembled & Numbered

3.1 Viper Mid MKII Standard Kits

3.1.1 Viper Mid MKII Complete Standard Collar



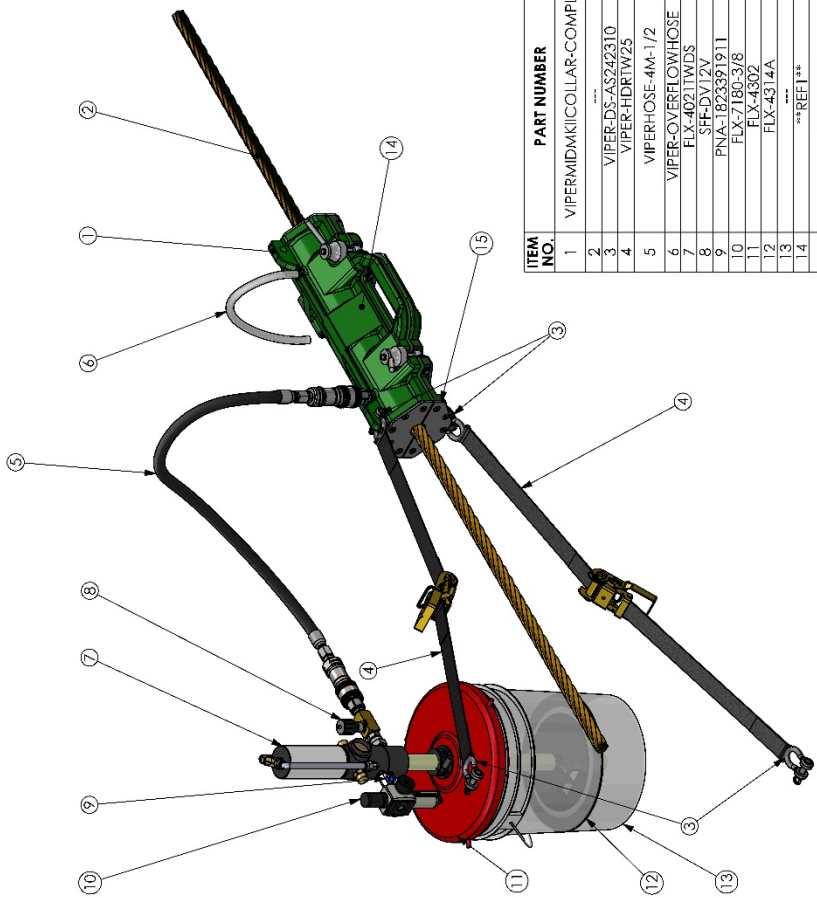
ITEM NO.	PART NUMBER	DESCRIPTION	QTY.
1	VIPERMIDMKII-COLLAR-TOP	VIPER COLLAR MID MKII TOP HALF	1
2	VIPERMIDMKII-COLLAR-BOTTOM	VIPER COLLAR MID MKII BOTTOM HALF	1
3	VIPER-HOSE-FLAT	OVERFLOW HOSE	1
4	VIPERMIDMKII-M-B1/2PL-BSP	MALE 1/2" QUICK CONNECT ADAPTOR	1
5	HL-A-A-0408	3/8" BSPT MALE 1/2" BSPT MALE FITTING	1 SET OF 4
6	**REF1**	SCRAPER PLATE	2
7	VIPER-ENDSCREWS	MAXI2MM FLAT LOCKWASHER SOCKET SCREW	20
8	HL-A-A-06	3/8" BSPT PLUG	1
9	**REF2**	POLYURETHANE SEAL	1
10	VIPERMIDMKII-LOCKMECHANISM	LOCKING MECHANISM MADE OF SWIVEL SCREW, LOCK NUT WITH HANDLE AND 2 WASHERS	2
11	VIPERMIDMKII-LOCKPINS	PINS TO SUPPORT THE VIPERMIDMKII-LOCKMECHANISM	2
12	VIPERMIDMKII-HINGEPINS	PINS TO HOLD BOTH HALVES OF THE VIPER MID MKII	2

****REF1**** : VIPER SEALS REFER TO THE VIPER SEAL AND SCRAPER SELECTION GUIDE
****REF2**** : VIPER SCRAPER PLATES REFER TO THE VIPER SEAL AND SCRAPER SELECTION GUIDE

3.1.2 Viper Mid MKII Complete Standard Hose (included in 20KG & 50KG kits)



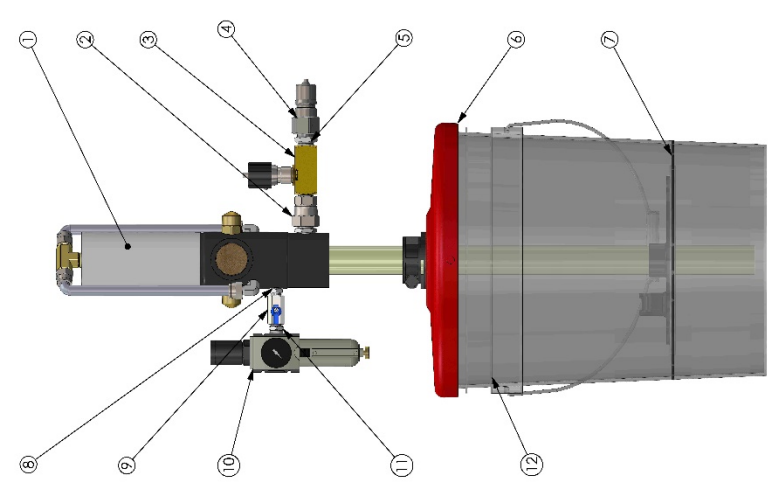
3.1.3 Viper Mid MKII Complete 20KG Kit




ITEM NO.	PART NUMBER	DESCRIPTION	QTY.
1	VIPERMIDMKIICOLLAR-COMplete	VIPER MID MKII COMPLETE WITH FITTINGS, MALE COUPLER AND PLUGS	1
2	***	WIRE ROPE	***
3	VIPER-DS-AS242310	BOW SHACKLE	4
4	VIPER-HDR1W25	RATCHET STRAP	2
5	VIPERHOSE-4M-1/2	4MIRS 1/2" DWB HOSE WITH QUICK CONNECTS AT EACH END	1
6	VIPER-OVERFLOWHOSE	OVERFLOW HOSE	1
7	FLX-4021TWDS	VIPER GREASE PUMP 45:1, 4,500 GRAMS/MIN	1
8	SFF-DV1/2V	GREASE FLOW CONTROL VALVE	1
9	PNA-1823391911	AIR FLOW CONTROL VALVE	1
10	FLX-7180-3/8	AIR PRESSURE REGULATOR WITH GAUGE	1
11	FLX-4302	20KG DRUM COVER	1
12	FLX-431.4A	20KG FOLLOWER PLATE	1
13	***REF1**	VIPER LUBRICANT PAIL	1
14	***REF1**	POLYURETHANE SEAL	1
15	**REF2**	VIPER SCAPPER PLATE	1 SET OF 4

***REF1** : VIPER SEALS REFER TO THE VIPER SEAL AND SCRAPER SELECTION GUIDE
 REF2 : VIPER SCRAPER PLATES REFER TO THE VIPER SEAL AND SCRAPER SELECTION GUIDE

3.1.4 Viper Mid MKII Complete 20KG Pump Kit



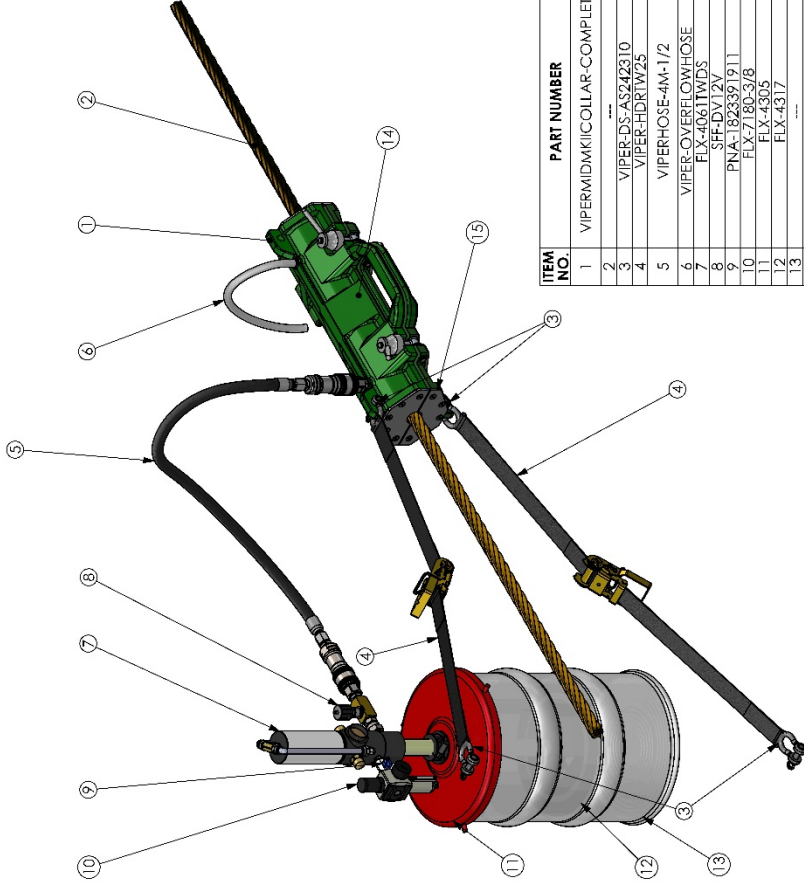
ITEM NO.	PART NUMBER	DESCRIPTION	QTY.
1	FLX-4021IWD5	VIPER GREASE PUMP 45.1 L 4500 GRAMS/MIN	1
2	HL-A-C-0808	1/2" BSP MALE X 1/2" BSP FEMALE SWIVEL FITTING	1
3	SF-DY12V	GREASE FLOW CONTROL VALVE	1
4	VIPERMIDMKII-M-BIRT2PL BSP	1/2" BSP MALE QUICK COUPLER	1
5	HL-A-0808	1/2" BSP MALE X 1/2" BSP MALE FITTING	1
6	FLX-4302	20KG DRUM COVER	1
7	FLX-4314A	20KG FOLLOWER PLATE	1
8	HL-A-0406	1/4" BSP MALE X 3/8" BSP MALE FITTING	1
9	PNA-1823391911	AIR FLOW CONTROL VALVE	1
10	FLX-7180-3/8	AIR PRESSURE REGULATOR WITH GAUGE	1
11	HL-A-0406	1/4" BSP MALE X 3/8" BSP MALE FITTING	1
12		VIPER LUBRICANT PAIL	1



Viper Mid MKII Complete Pump Kit
VIP-00120

REF1 : VIPER SEALS REFER TO THE VIPER SEAL AND SCRAPER SELECTION GUIDE
 ***REF2** : VIPER SCRAPER PLATES REFER TO THE VIPER SEAL AND SCRAPER SELECTION GUIDE

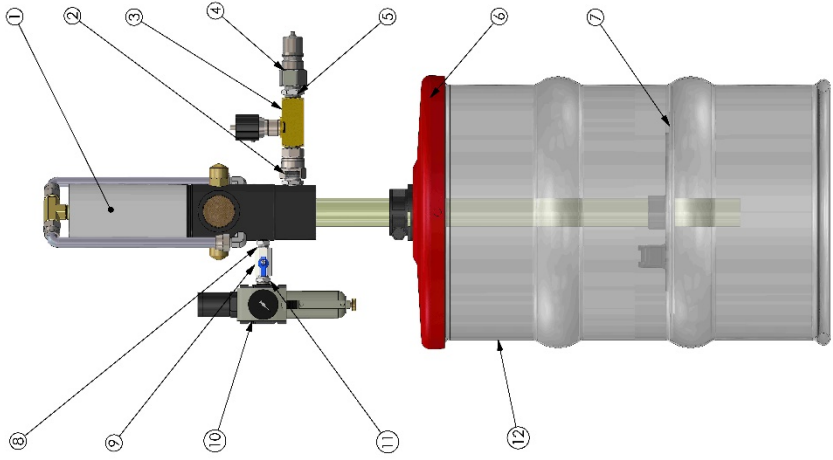
3.1.5 Viper Mid MKII Complete 50KG Kit




ITEM NO.	PART NUMBER	DESCRIPTION	QTY.
1	VIPERMIDMKII-COLLAR-COMPLETE	VIPER MID MKII COMPLETE WITH FITTINGS, MALE COUPLER AND PLUGS	1
2	***	WIRE ROPE	***
3	VIPER-DS-AS242310	BOW SHACKLE	4
4	VIPER-HDR1W25	RAITCHEL STRAP	2
5	VIPERHOSE-4M-1/2	4MTRS 1/2" DWS HOSE WITH QUICK COUPLERS ON EACH END	1
6	VIPER-OVERFLOWHOSE	OVERFLOW HOSE	1
7	FLX-40411WDS	VIPER GREASE PUMP 451 L/500 GRAMS/MIN	1
8	FLX-DV12V	GREASE FLOW CONTROL VALVE	1
9	PN-A-1823301911	AIR FLOW CONTROL VALVE	1
10	FLX-7180-3/8	AIR PRESSURE REGULATOR WITH GAUGE	1
11	FLX-4306	50KG DRUM COVER	1
12	FLX-4317	50KG FOLLOWER PLATE	1
13	***	VIPER LUBRICANT PAIL	1
14	**REF1**	POLYURETHANE SEAL	1
15	**REF2**	VIPER SCRAPPER PLATE	1 SET OF 4

***REF1** : VIPER SEALS REFER TO THE VIPER SEAL AND SCRAPER SELECTION GUIDE
 ***REF2** : VIPER SCRAPER PLATES REFER TO THE VIPER SEAL AND SCRAPER SELECTION GUIDE

3.1.6 Viper Mid MKII Complete 50KG Pump Kit

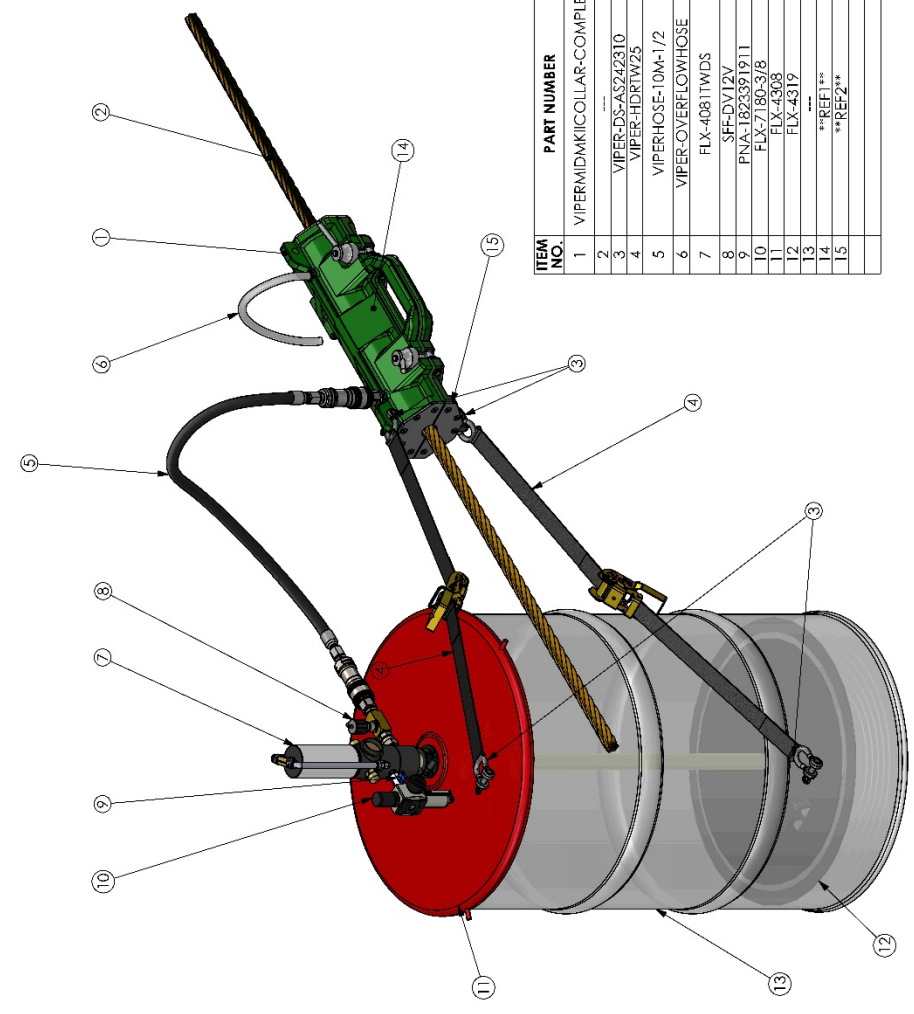


ITEM NO.	PART NUMBER	DESCRIPTION	QTY.
1	FLX-4061TWDS	VIPER GREASE PUMP 45L 4 500 GRAMS/MIN	1
2	HL-A-C-0808	1/2" BSPT MALE X 1/2" BSP FEMALE SWIVEL FITTING	1
3	SFE-DV12V	GREASE FLOW CONTROL VALVE	1
4	VIPERMIDMKIIM-BKIT 2PL BSP	1/2" BSP MALE QUICK COUPLER	1
5	HL-A-A-0808	1/2" BSPT MALE X 1/2" BSPT MALE FITTING	1
6	FLX-4305	50KG DRUM COVER	1
7	FLX-4317	50KG FOLLOWER PLATE	1
8	HL-A-A-0406	1/4" BSPT MALE X 3/8" BSPT MALE FITTING	1
9	PNA-1823391911	AIR FLOW CONTROL VALVE	1
10	FLX-71805378	AIR PRESSURE REGULATOR WITH GAUGE	1
11	HL-A-A-0406	1/4" BSPT MALE X 3/8" BSPT MALE FITTING	1
12	VIPER LUBRICANT PAIL	1



Viper Mid MKII Complete 50KG Pump Kit
VIP-00150

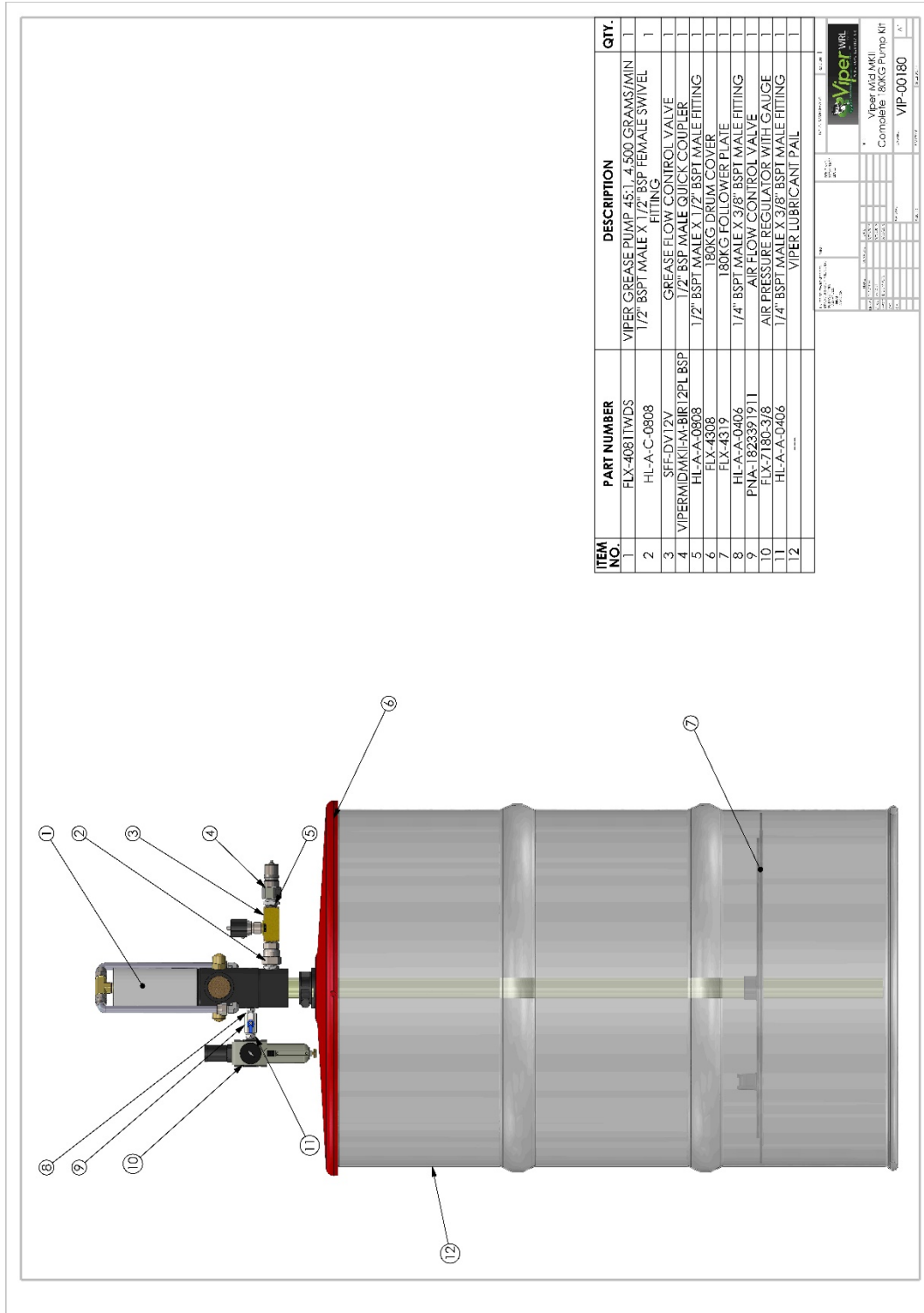
3.1.7 Viper Mid MKII Complete 180KG Kit



ITEM NO.	PART NUMBER	DESCRIPTION	QTY.
1	VIPERMIDMKII-COLLAR-COMPLETE	VIPER MID MKII COMPLETE WITH FITTINGS, MALE COLLAR AND PLUGS	1
2	VIPER-DS-A242310	WIRE ROPE	1
3	VIPER-HDR1W23	BOW SHACKLE	4
4	VIPER-HOSE-10M-1/2	10MTRS 1/2" ID HOSE WITH QUICK CONNECT HOSE END	2
5	VIPER-OVERFLOWHOSE	OVERFLOW HOSE	1
6	FLX-4081TWDS	VIPER GREASE PUMP @ 1.4-500 GRAMS/MIN	1
7	SFE-DV12V	GREASE FLOW CONTROL VALVE	1
8	PNA-1823391911	AIR FLOW CONTROL VALVE	1
9	FLX-7180-3/8	AIR PRESSURE REGULATOR WITH GAUGE	1
10	FLX-4303	180KG DRUM COVER	1
11	FLX-4319	180KG FOLLOWER PLATE	1
12	**REF1**	VIPER LUBRICANT PAIL	1
13	**REF2**	POLYURETHANE SEAL	1
14	**REF1**	VIPER SCRAPER PLATE	1 SET OF 4
15	**REF2**	VIPER SCRAPER PLATE	1 SET OF 4


****REF1**** : VIPER SEALS REFER TO THE VIPER SEAL AND SCRAPER SELECTION GUIDE
****REF2**** : VIPER SCRAPER PLATES REFER TO THE VIPER SEAL AND SCRAPER SELECTION GUIDE

3.1.8 Viper Mid MKII Complete 180KG Pump Kit



ITEM NO.	PART NUMBER	DESCRIPTION	QTY.
1	FLX-4081TWDS	VIPER GREASE PUMP 45L/ 4.500 GRAMS/MIN	1
2	HL-A-C-0803	1/2" BSP MALE X 1/2" BSP FEMALE SWIVEL FITTING	1
3	SFF-DV12V	GREASE FLOW CONTROL VALVE	1
4	VIPERMIDMKIIM-BIR12PL BSP	1/2" BSP MALE QUICK COUPLER	1
5	HL-A-A-0908	1/2" BSP MALE X 1/2" BSP MALE FITTING	1
6	FLX-4308	180KG DRUM COVER	1
7	FLX-4319	180KG FOLLOWER PLATE	1
8	HL-A-A-0406	1/4" BSP MALE X 3/8" BSP MALE FITTING	1
9	PNA-1823391911	AIR FLOW CONTROL VALVE	1
10	FLX-7180-3/8	AIR PRESSURE REGULATOR WITH GAUGE	1
11	HL-A-A-0406	1/4" BSP MALE X 3/8" BSP MALE FITTING	1
12		VIPER LUBRICANT PAIL	1

3.1.9 Viper Mid MKII Complete 180KG Hose

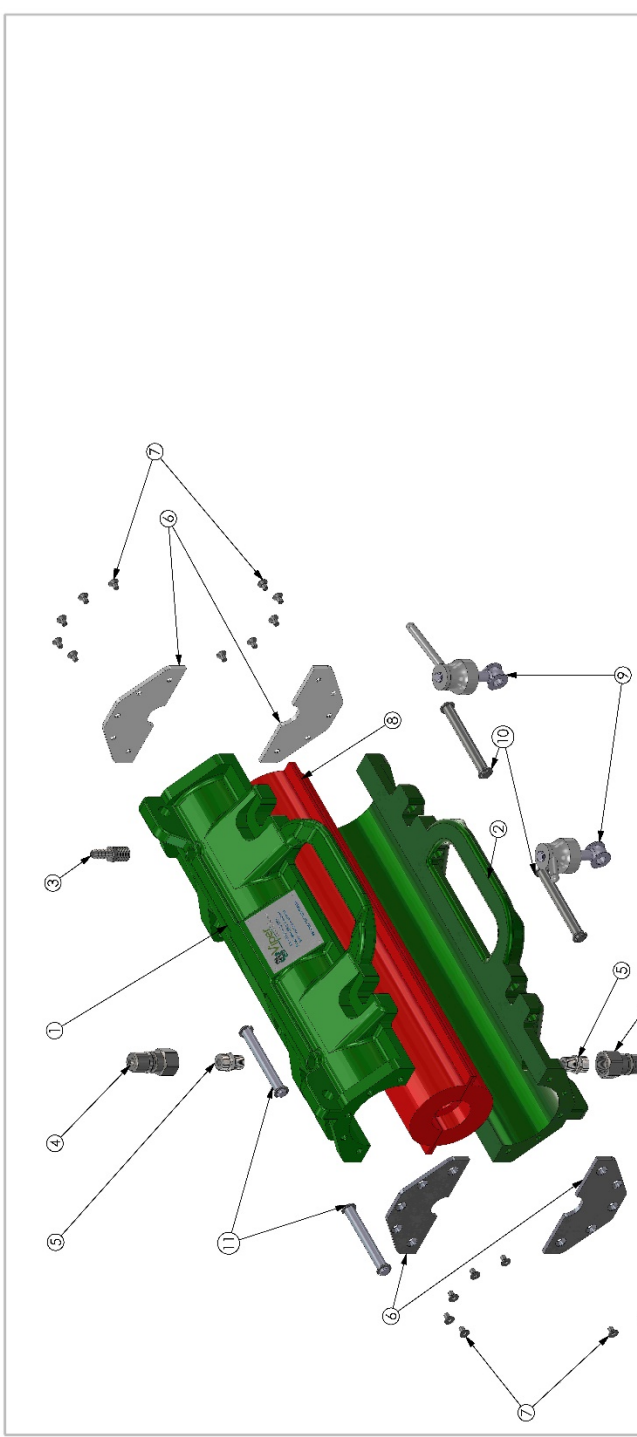


ITEM NO.	PART NUMBER	DESCRIPTION	QTY.
1	HL-A-0808	10 METERS 1/2" DWB HOSE	1
2	VIPERMIDMKII-FBIIR12PL BSP	1/2" BSPT MALE X 1/2" BSPT MAL FITTING	2
3	VIPERMIDMKII-FBIIR12PL BSP	1/2" QUICK CONNECT FEMALE ADAPTER	2

	
Viper Mid MKII 180 KG Complete Hose	
PART NO: VIP-00180	REV: 1.0

3.2 Viper MKII High Speed Kits

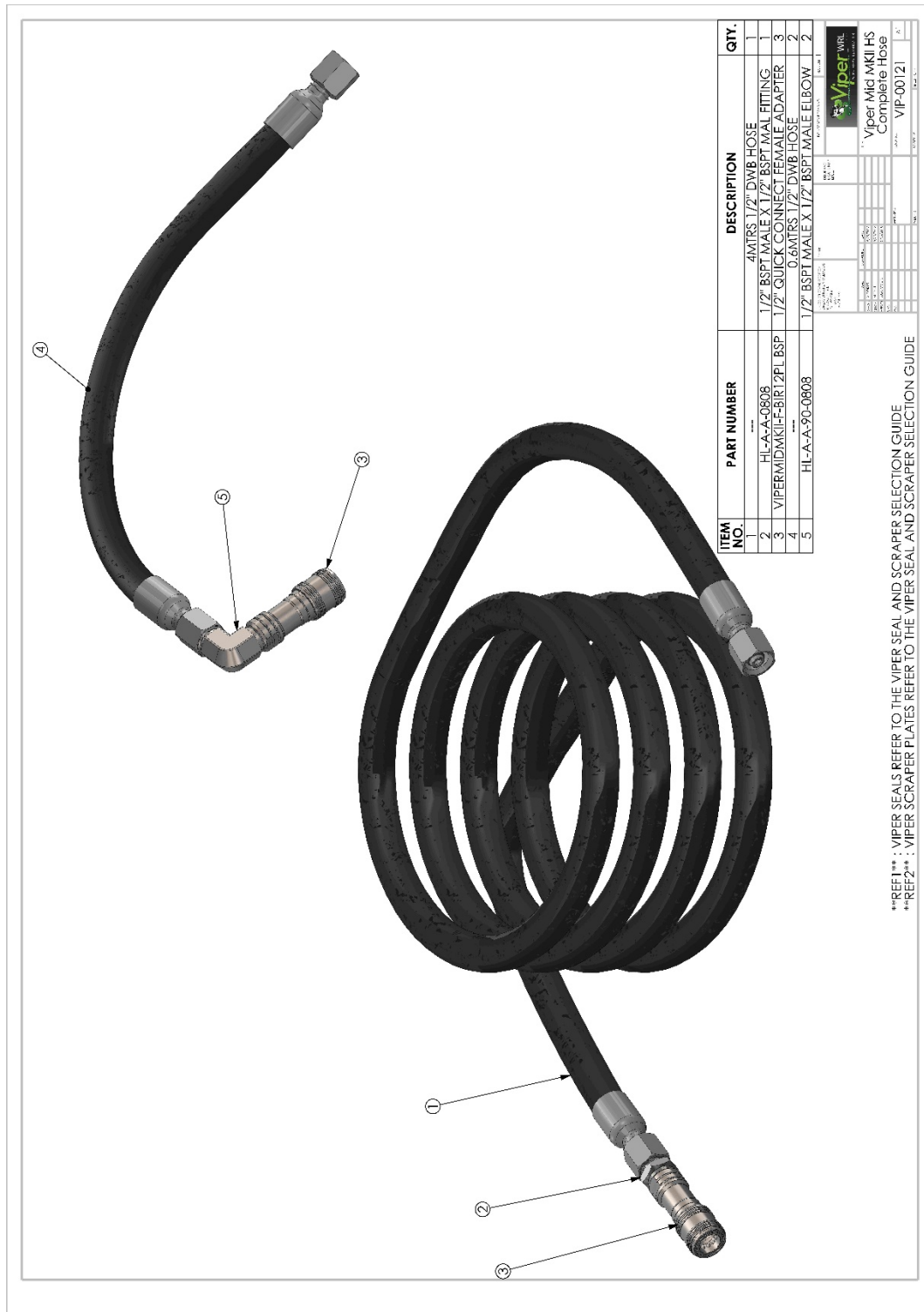
3.2.1 Viper Mid MKII Complete HS Collar



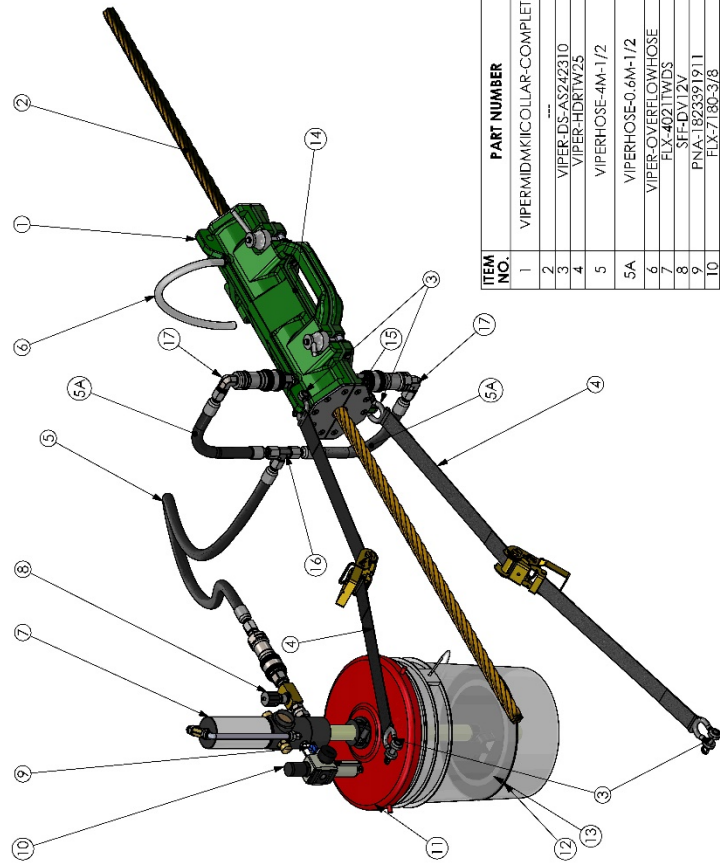
ITEM NO.	PART NUMBER	DESCRIPTION	QTY.
1	VIPERMIDMKIICOLLAR-TOP	VIPER COLLAR MID MK II TOP HALF	1
2	VIPERMIDMKIICOLLAR-BOTTOM	VIPER COLLAR MID MK II BOTTOM HALF	1
3	VIPER-HOSE TAIL	OVERFLOW HOSE	1
4	VIPERMIDMKIIM-BIR1 2PL B3P	MALE 1/2" QUICK CONNECT ADAPTOR	2
5	HL-A-A-0608	3/8" BSPT MALE X 1/2" BSPT MALE FITTING	2
6	**REF1**	SCRAPER PLATE	1 SET OF 4
7	VIPER-ENDSCREWS	M6X12MM FLAT COUNTERSUNK SOCKET SCREW	20
8	**REF2**	POLYURETHANE SEAL	1
9	VIPERMIDMKIILOCKMECHANISM	LOCKING MECHANISM MADE OF SWIVEL SCREW, LOCK NUT WITH HANDLE AND 2 WASHERS	2
10	VIPERMIDMKIILOCKPINS	PINS TO SUPPORT THE VIPERMIDMKIILOCKMECHANISM	2
11	VIPERMIDMKIILINGEPINS	PINS TO HOLD BOTH HALVES OF THE VIPER MID MKII	2

****REF1**** : VIPER SEALS REFER TO THE VIPER SEAL AND SCRAPER SELECTION GUIDE
****REF2**** : VIPER SCRAPER PLATES REFER TO THE VIPER SEAL AND SCRAPER SELECTION GUIDE

3.2.2 Viper Mid MKII Complete HS Hose (included in 20KG & 50KG kits)



3.2.3 Viper Mid MKII Complete HS 20KG Kit

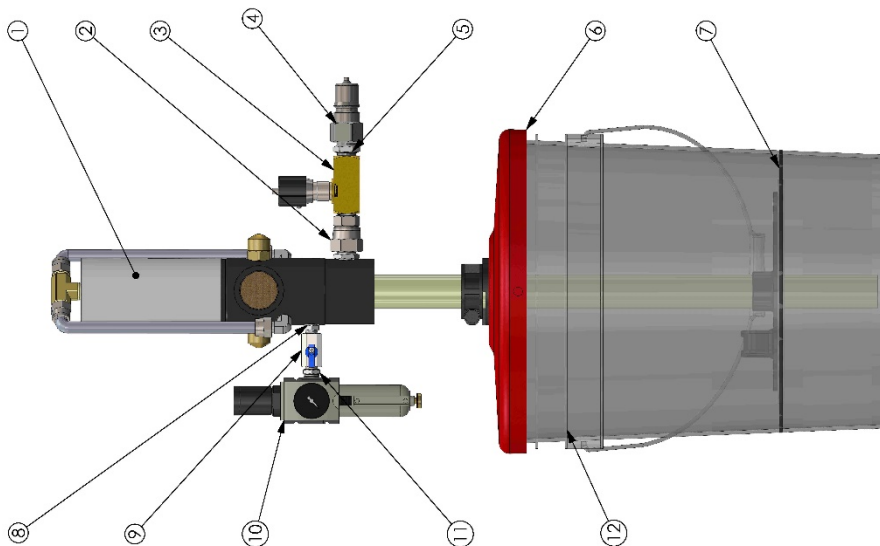


ITEM NO.	PART NUMBER	DESCRIPTION	QTY.
1	VIPERMIDMKIICOLLAR-COMplete	VIPER MID MKII COMPLETE WITH FITTINGS, MALE COUPLER AND PLUGS	1
2	---	WIRE ROPE	---
3	VIPER-DS-AS242310	BOW SHACKLE	4
4	VIPER-HDR1W25	RATCHET STRAP	2
5	VIPERHOSE-4M-1/2	4MTRS 1/2" DWB HOSE WITH QUICK CONNECTS AT ONE END	1
5A	VIPERHOSE-0.6M-1/2	0.6MTRS 1/2" DWB HOSE WITH QUICK CONNECTS AT ONE END	2
6	VIPER-OVERFLOWHOSE	OVERFLOW HOSE	1
7	FLX-4311/23	VIPER GREASE PUMP 4571.4500 GRAMS/MIN	1
8	FLX-4311/23	GRASE PUMP CONTROL VALVE	1
9	PNL1-92339191	AIR FLOW CONTROL VALVE	1
10	FLX-7180-3/8	AIR PRESSURE REGULATOR WITH GAUGE	1
11	FLX-4302	20KG DRUM COVER	1
12	FLX-431MA	20KG FOLLOWER PLATE	1
13	---	VIPER LUBRICANT PAIL	1
14	**REF1**	POLYURETHANE SEAL	1 SET OF 4
15	**REF2**	VIPER SCRAPPER PLATE	1 SET OF 4
16	HL-A-A-080808	TEE FITTING 1/2" BSPT MALE (3)	1
17	HL-A-A-90-0808	1/2" BSPT MALE X 1/2" BSPT MALE ELBOW	2

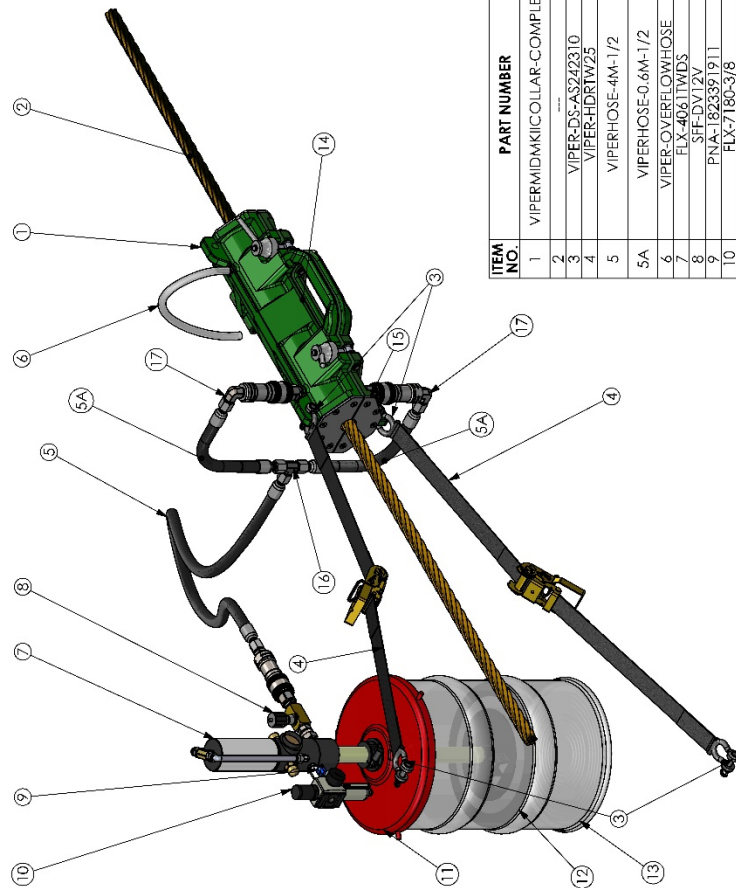
****REF1**** : VIPER SEALS REFER TO THE VIPER SEAL AND SCRAPPER SELECTION GUIDE
****REF2**** : VIPER SCRAPPER PLATES REFER TO THE VIPER SEAL AND SCRAPPER SELECTION GUIDE

3.2.4 Viper Mid MKII Complete HS 20KG Pump Kit

ITEM NO.	PART NUMBER	DESCRIPTION	QTY.
1	FLX-4021TWDS	VIPER GREASE PUMP 45L/4.5 LTRS/MIN	1
2	HL-A-C-0808	1/2" BSP MALE X 1/2" BSP FEMALE SWIVEL FITTING	1
3	SFF-DV12V	GREASE FLOW CONTROL VALVE	1
4	VIPERMIDMKII-M-BIR 12PL BSP	1/2" BSP MALE QUICK COUPLER	1
5	HL-A-A-0808	1/2" BSP MALE X 1/2" BSP MALE FITTING	1
6	FLX-4302	20KG DRUM COVER	1
7	FLX-4314A	20KG FOLLOWER PLATE	1
8	HL-A-A-0406	1/4" BSP MALE X 3/8" BSP MALE FITTING	1
9	PNA-1823391911	AIR FLOW CONTROL VALVE	1
10	FLX-7180-3/8	AIR PRESSURE REGULATOR WITH GAUGE	1
11	HL-A-A-0406	1/4" BSP MALE X 3/8" BSP MALE FITTING	1
12	VIPER LUBRICANT PAIL	1



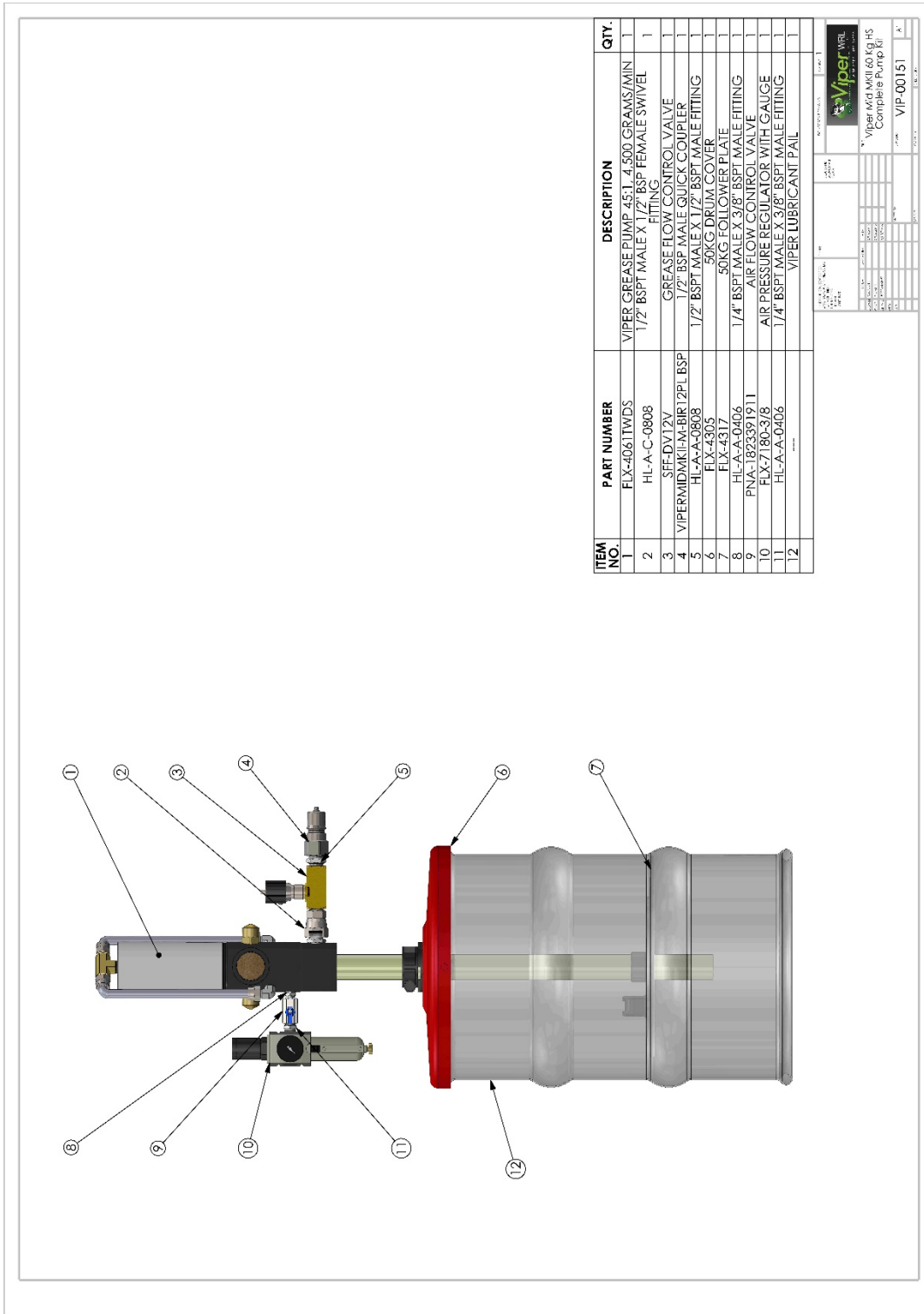
3.2.5 Viper Mid MKII Complete HS 50KG Kit




ITEM NO.	PART NUMBER	DESCRIPTION	QTY.
1	VIPERMIDMKIIICOLLAR-COMplete	VIPER MID MKII COMPLETE WITH FITTINGS, MALE COUPLER AND PLUGS	1
2		WIRE ROPE	4
3	VIPER-DS-A32231D	BOW SHACKLE	2
4	VIPERHDIRW25	RATCHET STRAP	2
5	VIPERHOSE-4M-1/2	4MTRS 1/2" DWB HOSE WITH QUICK CONNECTS AT ONE END	1
5A	VIPERHOSE-0.6M-1/2	0.6MTRS 1/2" DWB HOSE WITH QUICK CONNECTS AT ONE END	2
6	VIPER-OVERFLOW-HOSE	VIPER OVERFLOW HOSE	1
7	FLX-48311WDS	VIPER GREASE PUMP 45L/1000 GRAMS/MIN	1
8	SF-DV12V	GREASE FLOW CONTROL VALVE	1
9	PN-A1-B2339 1911	AIR FLOW CONTROL VALVE	1
10	FLX-71803/8	AIR PRESSURE REGULATOR WITH GAUGE	1
11	FLX-4305	50KG DRUM COVER	1
12	FLX-4317	50KG FOLLOWER PLATE	1
13		VIPER LUBRICANT PAIL	1
14	**REF1**	POI URETHANE SEAL	1
15	**REF2**	VIPER SCRAPPER PLATE	1 SET OF 4
16	HL-A-A-L080808	1EE FITTING 1/2" BSPT MALE (3)	1
17	HL-A-A-90-0808	1/2" BSPT MALE X 1/2" BSPT MALE ELBOW	2

****REF1**** : VIPER SEALS REFER TO THE VIPER SEAL AND SCRAPER SELECTION GUIDE
****REF2**** : VIPER SCRAPER PLATES REFER TO THE VIPER SEAL AND SCRAPER SELECTION GUIDE

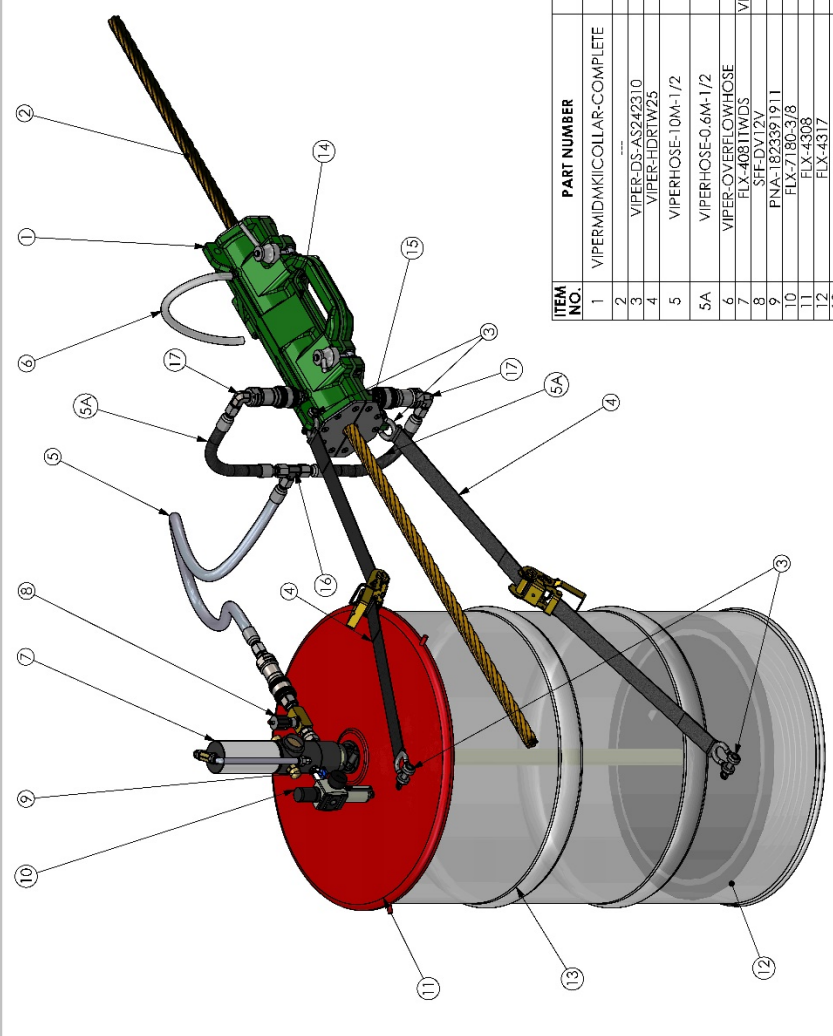
3.2.6 Viper Mid MKII Complete HS 50KG Pump Kit



ITEM NO.	PART NUMBER	DESCRIPTION	QTY.
1	FLX-4061TWDS	VIPER GREASE PUMP 45 L 4-500 GRAMS/MIN 1/2" BSPT MALE X 1/2" BSP FEMALE SWIVEL FITTING	1
2	HL-A-C-0808	1/2" BSP MALE X 1/2" BSPT MALE FITTING	1
3	SFF-DV12V	GREASE FLOW CONTROL VALVE	1
4	VIPERMIDMKIIM-BIR12PLBSP	1/2" BSP MALE QUICK COUPLER	1
5	HL-A-A-0808	1/2" BSPT MALE X 1/2" BSPT MALE FITTING	1
6	FLX-4305	50KG DRUM COVER	1
7	FLX-4317	50KG FOLLOWER PLATE	1
8	HL-A-A-0406	1/4" BSPT MALE X 3/8" BSPT MALE FITTING	1
9	PNA-1823391911	AIR FLOW CONTROL VALVE	1
10	FLX-7180-3/8	AIR PRESSURE REGULATOR WITH GAUGE	1
11	HL-A-A-0406	1/4" BSPT MALE X 3/8" BSPT MALE FITTING	1
12	-----	VIPER LUBRICANT PAIL	1

	
Viper Mid MKII Complete HS 50KG Pump Kit	
Part No.	VIP-00151
Rev.	A

3.2.7 Viper Mid MKII Complete HS 180KG Kit




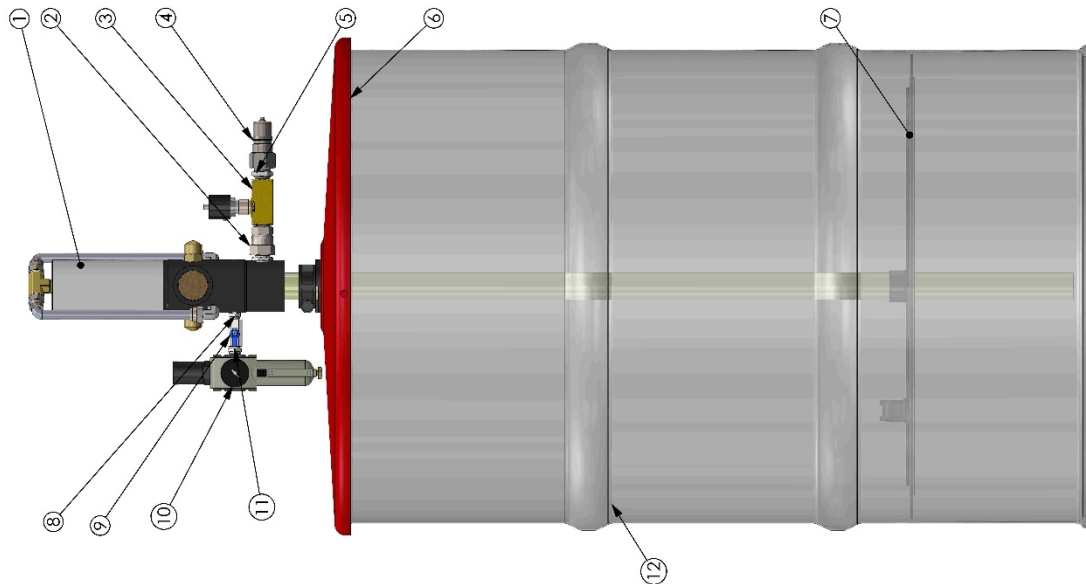
ITEM NO.	PART NUMBER	DESCRIPTION	QTY.
1	VIPERMIDMKII-COLLAR-COMplete	VIPER MID MKII COMPLETE WITH FITTINGS, MALE COUPLER AND PLUGS	1
2	WIRE ROPE	WIRE ROPE	1
3	VIPER-DS-A242310	10MTRS 1/2" DIA WIRE ROPE WITH QUICK CONNECTS AT ONE END	4
4	VIPER-HDR1W23	0.6MTRS 1/2" DWB HOSE WITH QUICK CONNECTS AT ONE END	2
5	VIPERHOSE-10M-1/2	COVERFLOW HOSE	1
5A	VIPERHOSE-0.6M-1/2	VIPER GREASE PUMP 45-1, 4,500 GRAMS/MIN	1
6	VIPER-OVERFLOWHOSE	GREASE FLOW CONTROL VALVE	1
7	FLX-40811WDS	AIR FLOW CONTROL VALVE	1
8	SFE-DV12V	AIR PRESSURE REGULATOR WITH GAUGE	1
9	PNA-1823391911	180KG DRUM COVER	1
10	FLX-7180-3/8	180KG FOLLOWER PLATE	1
11	FLX-4308	VIPER LUBRICANT PAIL	1
12	FLX-4317	POLYURETHANE SEAL	1
13	HL-A-A-060808	VIPER SCRAPPER PLATE	1 SET OF 4
14	HL-A-A-060808	TEE FITTING 1/2" BSPT MALE (3)	1
15	HL-A-A-060808	1/2" BSPT MALE X 1/2" BSPT MALE ELBOW	2
16	HL-A-A-060808		
17	HL-A-A-060808		

****REF1**** : VIPER SEALS REFER TO THE VIPER SEAL AND SCRAPER SELECTION GUIDE
****REF2**** : VIPER SCRAPER PLATES REFER TO THE VIPER SEAL AND SCRAPER SELECTION GUIDE

3.2.8 Viper Mid MKII Complete HS 180KG Pump Kit

ITEM NO.	PART NUMBER	DESCRIPTION	QTY.
1	FLX-4081TWDS	VIPER GREASE PUMP 45L / 4.5 LTRS/MIN.	1
2	HL-A-C-0808	1/2" BSPT MALE X 1/2" BSP FEMALE SWIVEL FITTING	1
3	SFF-DV12V	GREASE FLOW CONTROL VALVE	1
4	VIPERMIDMKII-M-BIR12PL-BSP	1/2" BSP MALE QUICK COUPLER	1
5	HL-A-A-0808	1/2" BSPT MALE X 1/2" BSPT MALE FITTING	1
6	FLX-4308	180KG DRUM COVER	1
7	FLX-4317	180KG FOLLOWER PLATE	1
8	HL-A-A-0406	1/4" BSPT MALE X 3/8" BSPT MALE FITTING	1
9	PNA-1823391911	AIR FLOW CONTROL VALVE	1
10	FLX-7180-3/8	AIR PRESSURE REGULATOR WITH GAUGE	1
11	HL-A-A-0406	1/4" BSPT MALE X 3/8" BSPT MALE FITTING	1
12	----	VIPER LUBRICANT PAIL	1


	
Viper Mid MKII HS Complete 180 Kg Pump Kit	
PART NO: VIP-00181	A



3.2.9 Viper Mid MKII Complete HS 180KG Hose



ITEM NO.	PART NUMBER	DESCRIPTION	QTY.
1		10MTRS 1/2" DWB HOSE	1
2	HL-A-0808	1/2" BSPT MALE X 1/2" BSPT MAL FITTING	1
3	VIPERMIDMKII-F-BIR 12PL BSP	1/2" QUICK CONNECT FEMALE ADAPTER	3
4		0.6MTRS 1/2" DWB HOSE	2
5	HL-A-A90-0808	1/2" BSPT MALE X 1/2" BSPT MALE ELBOW	2

	
Viper Mid MKII HS Complete 180 Kg Hose	
Part No.	VIP-00181
Rev.	A

4.0 Viper Mid MKII WRL Assembly Instructions (refer assembly video on website)

1. Remove all components from Viper Mid aluminium carry case, unpack from packing materials and lay out on a flat surface. Check all items are present as per your purchase order.
2. Remove grease pump noting that the air inlet isolation valve, air regulator and high-pressure needle control valve are preassembled onto the pump.
 - Connect site specific compressed air connector to the air regulator. (not supplied)
3. Remove lid from lubricant container and place follower plate onto the top of the lubricant. Press down firmly until the follower plate comes in contact with the lubricant.
 - Note the Viper Mid lubricator should only be used with high quality wire rope lubricants with a consistency of NLGI#00 to 2.
4. Fit the drum cover over the top of the lubricant container and tighten the three securing screws until they contact the container.
5. Clamp the grease pump handle onto the grease pump body and tighten the two screws.
6. Slide the grease pump shaft into the opening of the drum cover and the follower plate. Push the grease pump down into the grease until it touches the base of the grease container.
7. Connect the high-pressure grease hose to the grease pump outlet via the quick connect coupling.



8. Remove the Viper Mid collar from the packaging materials and loosen the two clamping bolts allowing the collar to open.

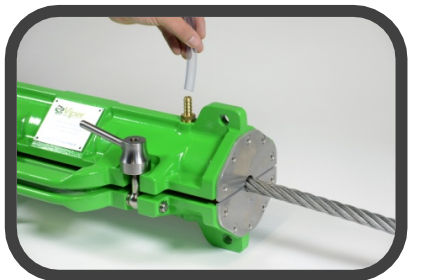
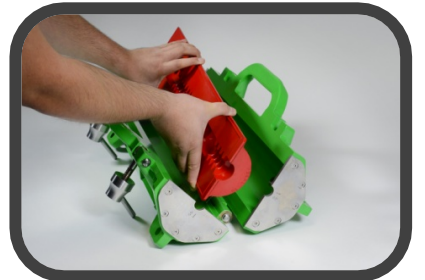
9. Fit the scraper plates to the Viper Mid collar using the counter sunk screws and the Allen key provided. Note scraper plates are sized to suit the wire rope as per the “Seal & Scraper plate selection guide”.

10. Fit the Viper seals into the Viper Mid collar. Make certain that the grease inlet holes on the seal and viper collar are aligned. Note seals are sized to suit the wire rope as per the “Seal & Scraper plate selection guide”.

11. Clamp the lubricator collar fitted with seals and scrapers around the wire rope to be lubricated, tightening the two toggles.

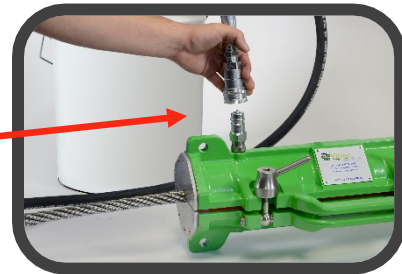
- Face the collar so that the hydraulic coupling is at the rope inlet end when the rope is being moved through the collar.
- Locate the collar so that the optimum length of wire rope can be lubricated in a single pass, this is typically close to the winch drum.

12. Attach the clear plastic drain hose to the Viper Mid collar. This hose is to deliver excess lubricant back to a collection container.



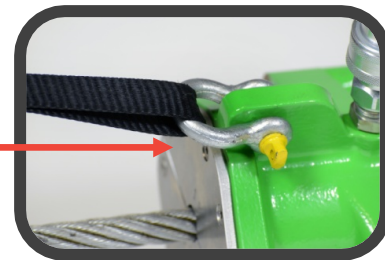
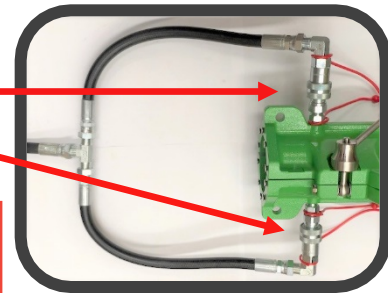
13. Connect the high-pressure lubricant delivery hose to the Viper Mid Collar using the quick connect coupler.

- Standard Kit
- High Speed Kit



14. To secure the Viper Mid lubricator collar in place, use the nylon ratchet straps and 'Bow' shackles.

- Secure one end of the ratchet strap to one of the lugs on the wire entry end of the lubricator collar via a bow shackle. Secure the other end to a suitable fixed position to prevent the lubricator collar from travelling with the wire rope. Replicate this using the second ratchet strap, bow shackle and lug on the lubricator collar.
- Note the ratchet strap is in high tension and strain during operation. Please ensure that all fittings are tightly secured prior to operation.
- The lubricator collar must be able to move laterally during operation to ensure even wire rope spooling on and off the rope drum.



15. Connect the air supply to the air regulator unit fitted to the grease pump. Ensure that the air shut-off valve is off, preventing the air from reaching the pump motor. Set the air pressure regulator to 7 bar.



5.0 Ratchet Strap Buckle Assemblies - Ref: AW107

Basic Steps of Operation

To Tighten:

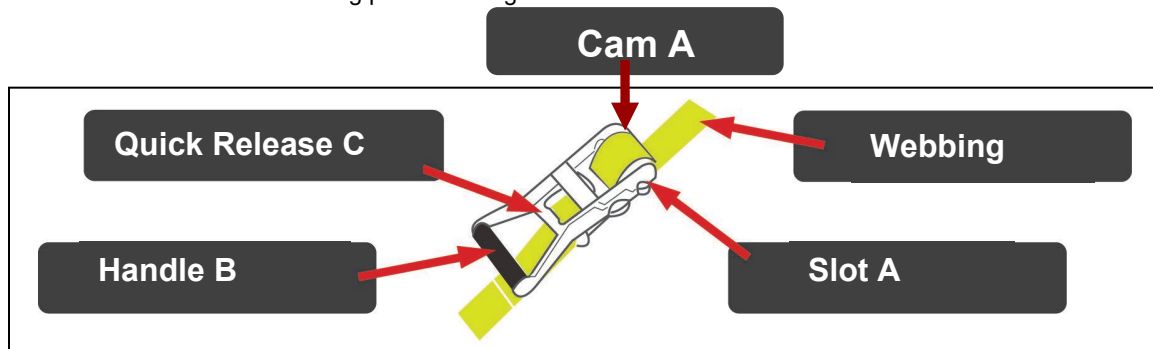
1. Secure Hooks on either side of load.
2. Insert free end of strap through slot A and pull through excess webbing
3. Push down and pull up handle B to work the ratchet strap till strap is as tight as possible.
 - a. Do not over tighten, as the straps are only designed to maintain position of the Viper Collar.
4. Ensure at least 2 to 3 revolutions of webbing are around centre cam A.
5. Push Handle B down to lock your Tie-Down.

To Release:

1. Pull back on quick release C and hold.
2. Pull handle B up and over to a fully open flat position.
3. Pull tie-down up to loosen strap and remove from slot A.

To be used as a guide only

Please note: Lubricate all moving parts on a regular basis.



Use and Care Instructions – Webbing Load Restraint Systems Ref: AW116

Use: The selected lashing system should be both strong enough and of the correct length for the mode of use. Good lashing practice should always be followed; the fitting and removal operations of the lashing should be planned before starting a journey. The lashing should be suitably pre-tensioned and regularly checked.

CAUTION: NOT TO BE USED FOR LIFTING

INSPECTION: Web lashings and any fittings or coupling components attached should be subject of frequent visual inspection and regular examination by a competent person. Web lashings shall be withdrawn from service if there is cause to doubt fitness for use.

MARKING: Use only legibly marked and labelled web lashing.

OVERLOADING: Lashing systems should not be overloaded. Mechanical aids such as levers or bars should not be used unless they are specifically designed for use with the device.

PROTECTION: The webbing and labels should be protected against friction, abrasion and damage from load with edge radii less than twice the webbing material thickness, using protective sleeves or corner protectors.

SERVICEABILITY: Normal wear and tear can reduce the strength of the webbing assemblies. If webbing is damaged by more than 10% of its original state due to abrasion, cuts, prolonged exposure to sunlight or chemicals then it should be replaced. Similar, if tensioning devices such as hand ratchets and end fittings are damaged by wear or corrosion they should be replaced.

RESPONSIBILITY: It is the responsibility of the owner, the driver and the person in charge of the loading to ensure that a vehicle's load restraint and attachments, and the load securing equipment, are serviceable and strong enough for their application.

NOTE: The user of this strap assumes all risk and liability for its handling and use.

For further information please refer to the RTA 'Load Restraint Guide'.



6.0 Viper Mid MKII WRL Operating Instructions

With the Viper Mid Wire Rope Lubricator assembled and mounted correctly as per the previous instructions, you are now ready to operate the system and lubricate the nominated wire rope.

Page | 28

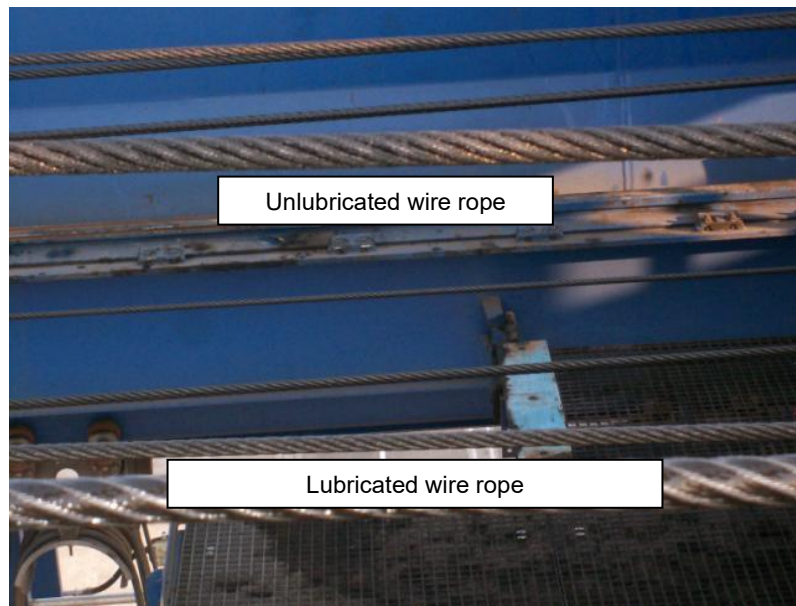
1. Make sure the high-pressure lubricant flow control valve is closed (turn clock wise to close).
2. Open the air supply to the lubricant pump via the air control valve. The pump may start to pump for a short period but will stop as the lubricant reaches the closed lubricant flow control valve. Set the air pressure regulator to 5.5 bar (80psi) and adjust up to 7 bar (105psi) if required.
3. Open the high pressure lubricant flow control valve slowly by turning anti clockwise and proceed to fill the installed seal with lubricant. Once lubricant appears at the wire rope entry point or in the overflow drain line, close the lubricant flow control valve by turning clockwise.

THE VIPER IS NOW CHARGED AND READY FOR OPERATION.

4. Start the wire rope moving through the Viper Mid collar and then slowly open the lubricant flow control valve. Continue to open until an even coating of grease is visible on the wire rope exiting the collar.
 - Speeds of up to 2,000 metres per hour are possible but this depends on a number of factors, including the rope size, speed and specific lubricant in use.
5. The lubricant flow control valve should be adjusted as required to provide the correct lubricant flow rate into the lubricator collar and thereby onto and into the wire rope.
 - If the lubricant flow rate is too high lubricant will begin leaking out of the Viper Mid collar at the rope entry point or from the excess lubricant clear hose.
 - Reduce the lubricant flow by turning the flow control valve clockwise. Alternatively increase the wire rope speed through the lubricator collar until the correct amount of lubricant appears on the wire rope.



6. Visually inspect the wire rope as it exits the collar to observe if full lubricant coverage is being achieved.
 - If insufficient coverage is being achieved, increase lubricant flow rate by adjusting the lubricant metering valve anti clockwise until an even lubricant coating occurs.
 - Alternatively reduce the rope speed until an even lubricant coating occurs.
7. If lubricant leakage occurs around the collar, check the collar is correctly tightened and seals are fitted correctly.
8. An even balance between lubricant volume and wire rope travel speed is required to achieve an even lubricant film combined with optimum penetration.
9. Once the optimum lubricant coverage is achieved, run the complete rope at a consistent speed though the Viper Mid collar.
10. Note that the Viper Mid collar with flexible seals is not a pressure vessel and is not designed to hold pressure. The grease pressure is generated by both the pump and the action of the rope travelling through the lubricant chambers in the seal. The Viper grease pump should not be operated with the wire rope stationary.



7.0 Lubricant Penetration

To inspect internal lubricant penetration, use a sharp spike or heavy-duty screwdriver to open up the wire rope. Alternatively, two pipe wrenches secured one metre apart, and rotated in opposite directions will allow visual inspection.

Page | 30

Lubricant penetration to the wire rope core is often difficult due to the following:

- Wire rope design, particularly anti-spin and locked core wire ropes.
- Dirty or contaminated wire ropes.
(Use of a Viper Wire Cleaner is recommended)
- Ropes contaminated with solid used lubricant coatings.
(Use of a Viper Wire Cleaner is recommended)

During the wire rope operation, the rope movement onto the drum and over sheaves is known to assist with the lubricant penetration.

If an NLGI#2 grade grease is used it may be necessary to pre-heat the lubricant at ambient temperatures below 5 degrees C (41 F) to ensure adequate penetration. Check with lubricant suppliers for method of pre-heating and individual lubricant specifications. Be sure that the lubricant used will adequately protect your wire rope from corrosion and wear.



8.0 Equipment Specifications

Drum Pump

Maximum operating air pressure	8 bar/120 psi
Pump ratio	45:1
Flow rate approximately	4,500 gram per min
Volume of compressed Air	250L/min at 7 bar

Guideline pressures are as follows:

Air Pressure for all Wire Rope Diameters 5.5 - 7 bar (80-105 psi)

Viper Collar

- Cast aluminium construction with enhanced mechanical properties and excellent resistance to corrosion, heat treated to T6.
- Lugs tested to withstand 800kg of resistance.
- Coating: 3 coat treatment.
- Salt – Spray Resistance to ASTM B117-73 - 2,000 hours
- Humidity Resistance to ASTM D2247 - 1,000 hours

Seals

- Estimated average operational life – 10,000+ metres
- Shelf life 2-3 years (based on correct storage)
- Chemically resistant to commercially available mineral wire rope lubricants.
- The lubricator seals may be washed with a mild petroleum cleaner.
- Do not leave the seals to soak in cleaning fluid which may be detrimental to their composition.
- It is important to store the seals away from UV light. The seals will be harmed if left for extended periods in sunlight.
- Seals should be kept in a sealed plastic bag as supplied.

Scrapers

- 5083 Grade Aluminium Alloy High resistance to corrosion and ideal for marine applications.

(Note: Lubrication Engineering reserves the right to change specifications as and when required.)



9.0 Trouble Shooting

1. NO LUBRICANT ON WIRE ROPE AFTER START UP

- a) Check lubricant container content.
- b) Check lubricator pump air shut-off valve is open.
- c) Check air pressure on gauge.
- d) Check lubricant control valve is open (for High Speed Kits only).

Page | 32

2. INADEQUATE LUBRICANT COVERAGE

- a) Utilise lubricant drum heater or change to lighter viscosity if ambient temperature is 5°C or below.
- b) Increase air pressure and hence lubricant flow, until correct quantity of lubricant is on wire rope.
- c) Open lubricant flow control valve fully to increase lube flow.
- d) Reduce wire rope speed to ensure complete coverage.

3. TOO MUCH LUBRICANT ON WIRE ROPE

- a) Reduce volume of lubricant via the flow control valve (for High Speed Kits only).
- b) Increase wire rope speed through the lubricator collar.
- c) Use a combination of both.
- d) Investigate type of wire rope lubricant used.
- e) Measure rope diameter and ensure correct seals in use.

4. LEAKING FROM COLLAR

- a) Tighten collar clamping screws
- b) Check correct Viper seal is being used for wire rope size.
- c) Check air pressure, reduce if required.
- d) Adjust lubricant flow rate from control valve.
- e) Check condition of seals for any damage.



10.0 Safety Recommendations – Caution Level Rating

- Before installation of the wire rope lubricator onto the cable, ensure the work area is clean and safe to work in with adequate space around the cable where the Viper collar will be attached.
- Ensure buckles and straps, D shackles and attachment points used to anchor the Viper Mid Lubricator are rated for a minimum WWL of 500 kg.
- Check hydraulic hose, couplings air lines and fittings for damage or wear, before connecting to grease pump and Viper Mid lubricator collar. Carry out visual inspection of the Viper Mid collar to ensure it has not been damaged during transport or handling. Damage to the casing that prevents it from sealing correctly will severely reduce the unit's ability to force lubricant into the ropes core and could be a potential safety hazard.
- Always ensure the return grease line feeds to a container of suitable size for receiving the excess grease from the Viper Mid lubricator. Grease allowed to flow from the return line without being captured may cause a serious slip or environmental hazard.
- Note: Lubricants vary in their hazard and environmental ratings. Please ensure Material Safety Data Sheets for all lubricants used with the Viper are kept in close proximity to the kit. Lubrication Engineering Pty Ltd recommend that a copy of the lubricant in use MSDS is kept in the Aluminium carry case for reference as required.

11.0 Danger Rating



- Before attaching the Viper Mid MKII lubricator collar to the cable, you must ensure the cable winch control has been locked out and tagged. Serious injury or death may occur should the cable winching equipment be activated while the Viper Mid MKII Lubricator is being fitted to the cable.

Page | 34



- When the Viper Mid MKII Lubricator has been assembled, attached to the Cable and anchored in position, the lubrication system can be activated. While in operation the grease pump can generate up to 5,500 PSI grease pressure. Under no circumstances should the Viper Mid collar be opened or the grease hose disconnected while under pressure as this can cause serious injury.



- While in operation the Viper Mid MKII Lubricator utilises both high pressure air, up to 120 PSI max and high pressure grease up to 5,500 PSI. Always wear appropriate PPE (Personal Protective Equipment) while carrying out the cable lubrication operation.



- Suggested PPE includes, safety glasses, leather gloves, safety boots, long sleeved shirts, high visibility vest, hard hat and hearing protection.



- Lubrication Engineering Pty Ltd recommend to only use pumps, fittings, hoses and accessories supplied or recommended by Lubrication Engineering Pty Ltd. All of our components have been tested to ensure they will work safely and effectively for extended duty cycles. Using non-approved components may lead to unexpected failure of the Viper Mid MKII Lubricator and / or its components causing serious injury to maintenance personnel.



12.0 Viper Mid MKII Guarantee

The **VIPER Mid MKII** Wire Rope Lubricator Kits and all the components are guaranteed for a period of 12 months from date of purchase against any fault of manufacture or material failure.

Page | 35

Fair wear and tear is expected of the unit and is not covered by this warranty. Tearing of the seals due to broken wires or other obstructions are not covered by this warranty.

Any parts to be claimed under warranty must be first returned to Lubrication Engineering Pty Ltd for inspection prior to warranty being granted.

***NOTE: Commercially available wire rope lubricant NLGI 00-2.
(Approved Lubricants list available)***

The Viper Mid MKII is supplied and supported by -



26 Prince William Drive, Seven Hills,
New South Wales, Australia, 2147

Web – www.ViperWRL.com

Email – sales@ViperWRL.com

Ph: +61 2 9636 5655

Fax: +61 2 9636 8566

